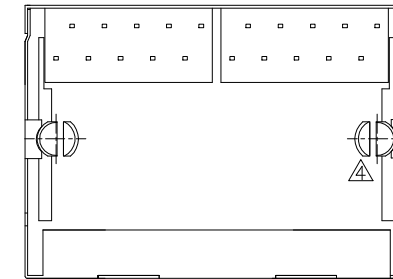
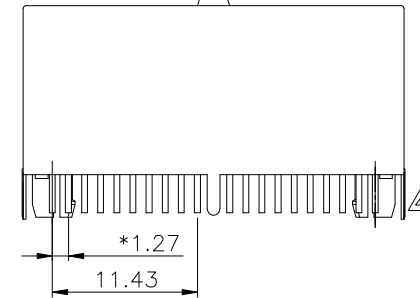
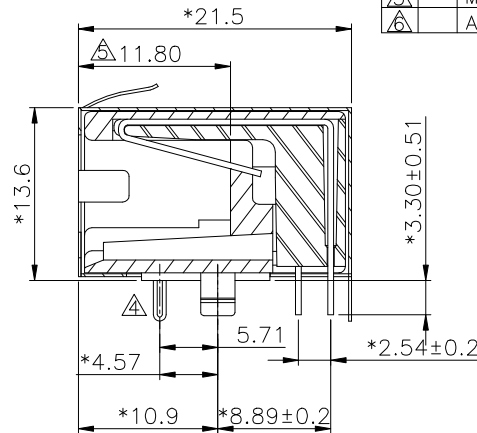
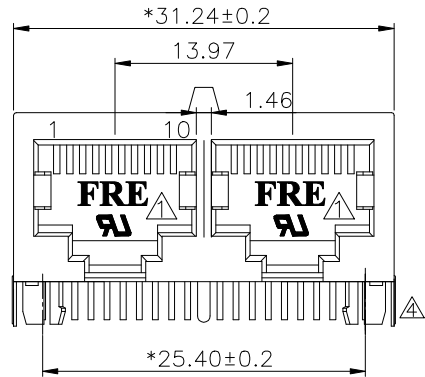


| | | REVISION RECORD | | | |
|-----|-----|-----------------|------|------|--|
| REV | ECO | DESCRIPTION | DRFT | CHKD | |
| △ | | MODIFY DRAWING | | | |
| △ | | MODIFY DRAWING | | | |
| △ | | ADD PART NO. | | | |
| △ | | ADD PART NO. | | | |
| △ | | MODIFY DRAWING | | | |



NOTES:

ELECTRICAL:

- VOLTAGE RATING : 125 VAC RMS.
- CURRENT RATING : 1.5 AMP.
- CONTACT RESISTANCE : 50 MILLIOHMS MAX.
- INSULATION RESISTANCE: 1000 MEGOHMS MIN @ 500 VDC.
- DIELECTRIC STRENGTH : 1000 VAC RMS 60Hz, 1MIN.

MECHANICAL:

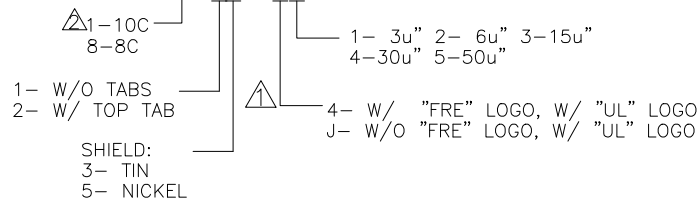
- HOUSING MATERIAL : GLASS FILLED POLYESTER UL94V-0 OR FR52.
- CONTACT MATERIAL : PHOSPHOR BRONZE t=0.35mm.
- PLATING : GOLD PLATING OVER NICKEL.
- OPERATING LIFE : 750 CYCLES MIN.
- PCB RETENTION PRE-SOLDER : 1 LB MIN.
- PCB RETENTION POST-SOLDER: 10 LBS MIN.

ENVIRONMENTAL:

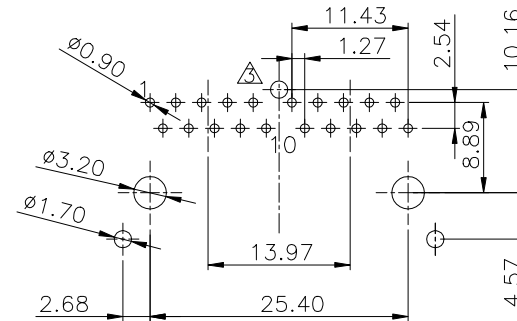
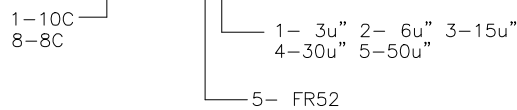
- STORAGE : -40°C TO +85°C.
- OPERATION: 0°C TO 70°C.

MATES WITH MODULAR PLUG CONFORMING TO FCC PART 68, SUBPART F.

PART NUMBER: E590X-XXA2XX



△ LEAD FREE PART NUMBER: E590X-15A25X-L



PC Board Layout Component Side Shown

| | | | | |
|--|--|--|--|---|
| <p>← MM (INCH) →</p> <p>TOLERANCES EXCEPT AS NOTED</p> <p>MM ±</p> <p>.0 ±0.20 ±</p> <p>.00 ±0.15 ±</p> <p>.000 ±0.075 ±</p> | | <p>DFTO Syngte DATE 5/12/2003</p> <p>CHKDQIULER DATE2005/2/19</p> <p>MFG DATE</p> <p>APPVLLUSHENG DATE2005/2/19</p> <p>MATERIAL :</p> <p>QTY :</p> <p>FINISH :</p> <p>SCALE : 1.25:1</p> | <p>FULL RISE ELECTRONIC CO., LTD</p> <p>TITLE</p> <p>20.57 PCB JACK (2PORTS)</p> | |
| <p>ANGLES ±</p> <p>THIRD ANGLE PROJECTION</p> | | <p>DO NOT SCALE DRAWING</p> | <p>DRAWING NO. GE593147</p> <p>/PART NO. SEE NOTE</p> | <p>SIZE REV</p> <p>A3 6</p> <p>SHEET X OF Y</p> |